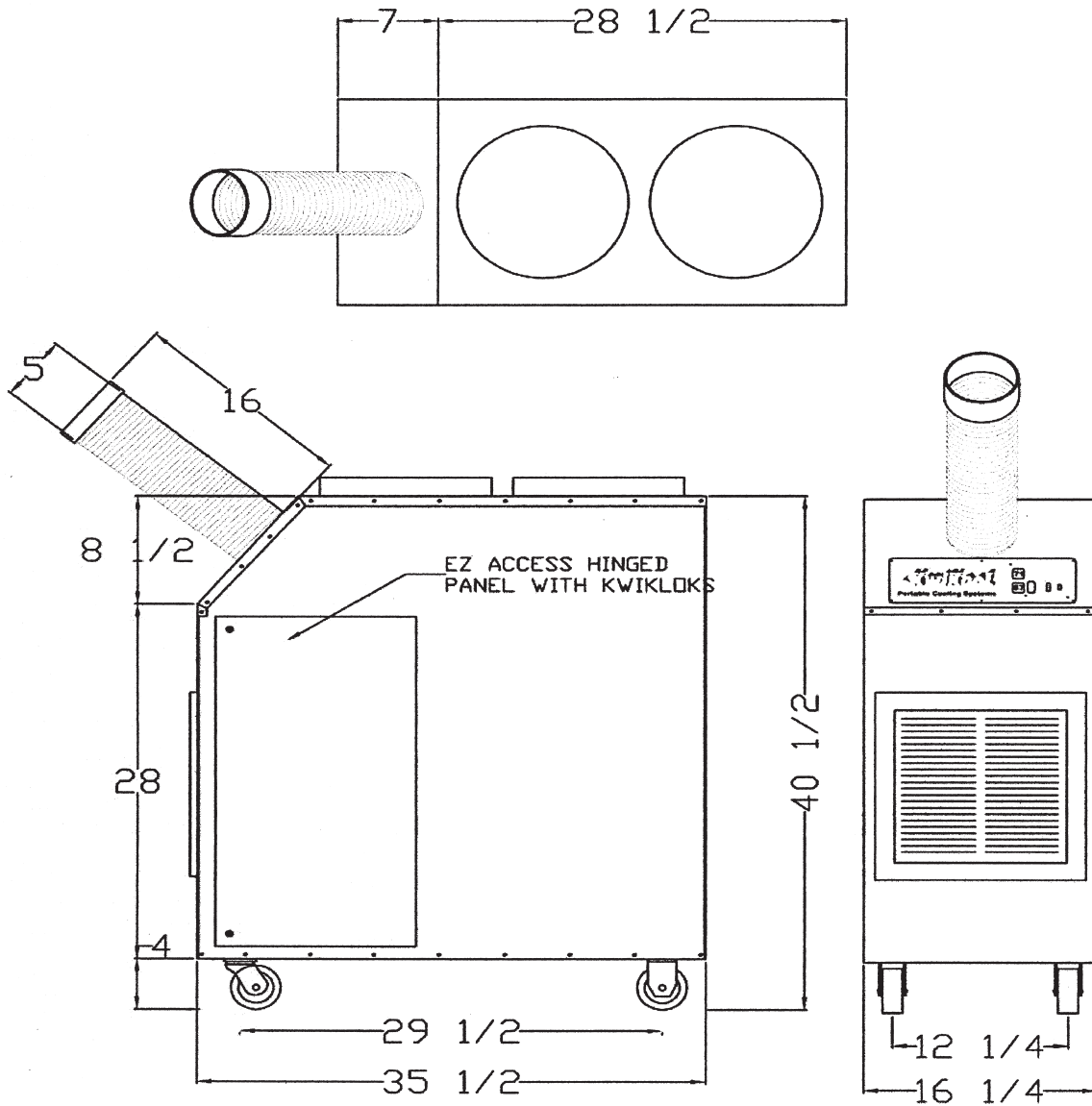


KPAC1011



COOLING CAPACITY		
	BTU/hr@60% RH	10,500 (.875 Ton)
COMPRESSOR DATA		
	Compressor Type	Hermetic Rotary
	Operating Temperatures	70°F-100°F 50%
FAN DATA		
EVAPORATOR		
	Fan Type (Centrifigul)	Direct Drive
	Air Flow (CFM) / Speeds	135/1
	Supply Air Chute Data	2 - 5"x16"
	Supply Air Chute Max. Length	10'
	Motor HP	1/6
CONDENSER		
	Fan Type (Centrifigul)	Direct Drive
	Air Flow (CFM)	1000
	Condenser Hose Data	2 - 12"x8'
	Condenser Hose Max. Length	25'
	Motor HP	1/3
ELECTRICAL DATA		
	Power Supply (Volts)	115-1ø
	Current Consumption (Amps)	11.5
	Power Consumption (KW)	1.1
	Circuit Breaker Size (Amps)	15
	Min/Max Voltage	105-125
	Power Cord Guage/Length	14AWG/6'
	Plug Configuration	NEMA 5-15
DIMENSIONAL DATA		
	Width (Inches)	16.25"
	Depth (Inches)	35.5"
	Height (Inches)	40.5"
	Weight (Pounds)	174
	Shipping Weight (Pounds)	204
SAFETY DEVICE DATA		
	Compressor Overload	Internal
	Fan Motor Overload	Automatic Internal
	Evaporator Freeze-up	Freeze Stat
	High Pressure	Manual
	Low Pressure	None
	Compressor Short Cycle	Yes
	Automatic Restart	Yes
	Thermostat	Digital Microprocessor
	Condensate Pump Overflow	N/A
	Condensate Tank Overflow	Yes