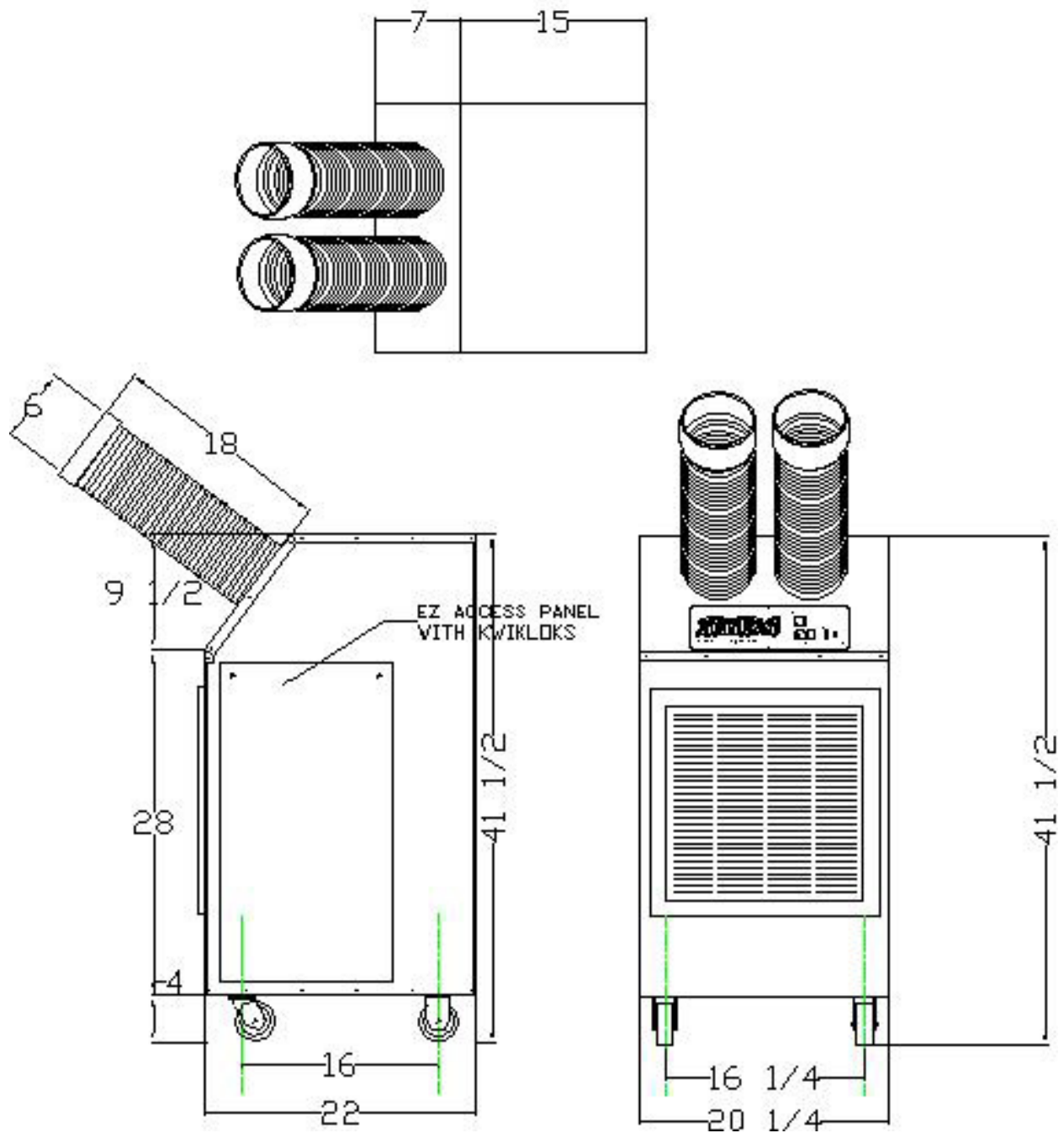


# SWAC2421



<b>COOLING CAPACITY</b>		
	BTU/hr @ 95°F at 60% RH	23,500 (2.0 Ton)
<b>COMPRESSOR DATA</b>		
	Compressor Type	Hermetic Recip.
	Operating Temperatures	60°F-110°F 50% RH
<b>FAN DATA</b>		
<b>EVAPORATOR</b>		
	Fan Type (Centrifigul)	Direct Drive
	Air Flow (CFM) / Speeds	750
	Supply Air Data	2 -6"x18"
	Supply Air Chute Max. Length	25'
	Max. Ext. Static	.25
	Motor HP	1/4
<b>WATER FLOW DATA</b>		
	Flow Regulating Valve	Automatic
	Inlet Water 85°F-95° F Exit (GPM)	6.0
	Inlet Water 75°F-95° F Exit (GPM)	3.0
	Inlet Water 65°F-95° F Exit (GPM)	2.0
	Inlet Water 55°F-95° F Exit (GPM)	1.5
<b>ELECTRICAL DATA</b>		
	Power Supply (Volts)	230-1Ø
	Current Consumption (Amps)	9.5
	Power Consumption (KW)	2.2
	Maximum Circuit Breaker (Amps)	20
	Min. Circuit Ampacity (Amps)	10.95
	Min/Max Voltage	195-250
	Power Cord Guage/Length	12AWG/6'
	Plug Configuration	NEMA 6-20
<b>DIMENSIONAL DATA</b>		
	Width (Inches)	20.25"
	Depth (Inches)	22"
	Height (Inches)	41.5"
	Weight (Pounds)	185
	Shipping Weight (Pounds)	215
<b>SAFETY DEVICE DATA</b>		
	Compressor Overload	Internal
	Fan Motor Overload	Automatic Internal
	Evaporator Freeze-up	Hot Gas Bypass
	High Pressure	Manual
	Low Pressure	Automatic
	Compressor Short Cycle	Yes
	Automatic Restart	Yes
	Thermostat	Digital
	Condensate Pump Overflow	Yes
	Condensate Tank Overflow	Yes