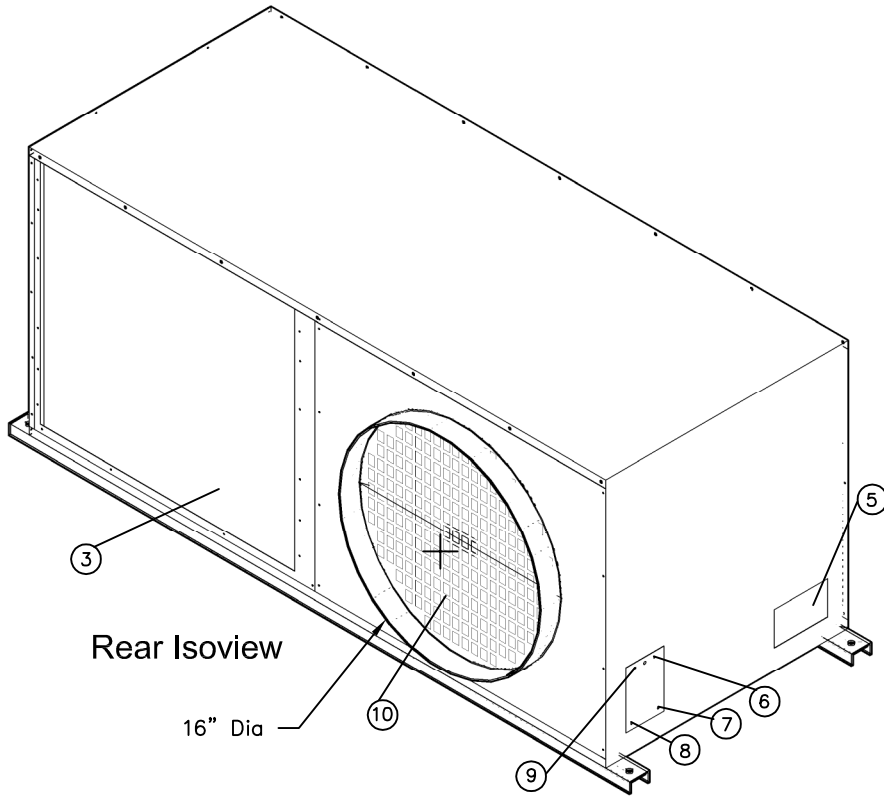


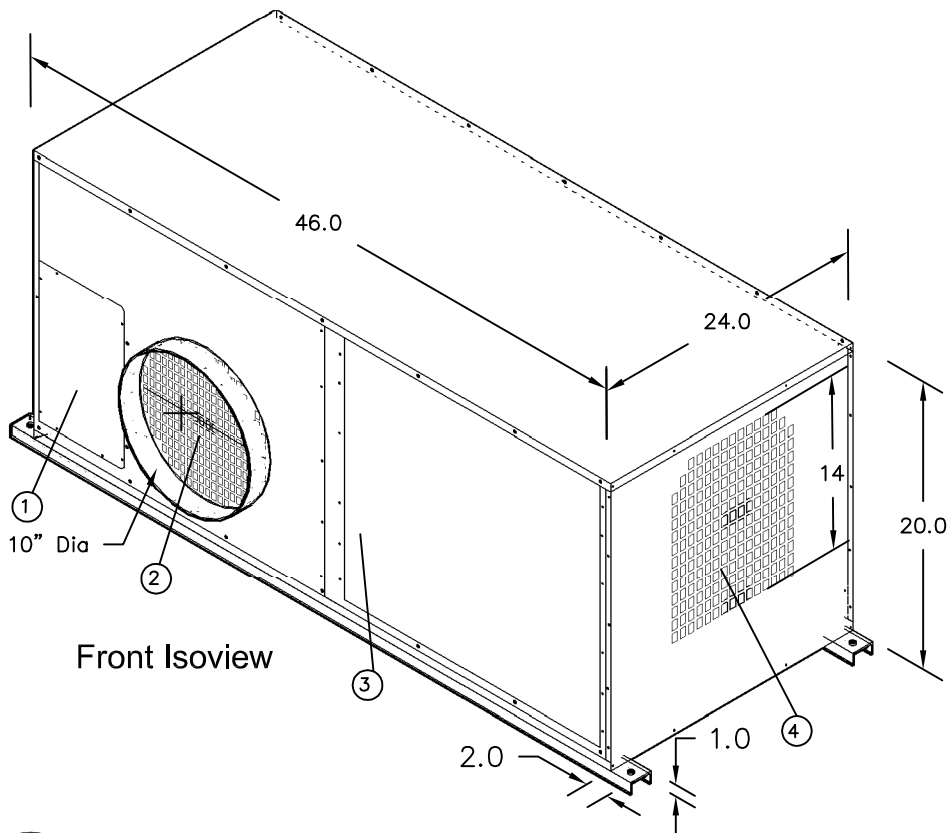
KCA-2421 2.0-Ton



Rear Isoview

Legend

- 1 Electrical Box
- 2 Cold Air Supply (10in)
- 3 Condenser Intake
- 4 Condenser Exhaust(14in)
- 5 Charging Port
- 6 High Pressure Reset Switch
- 7 Power Input Connection
- 8 Hi-Lo
- 9 Drain Line— $\frac{1}{4}$ "
- 10 Return Air Grill (16in)



Front Isoview



ETL LISTED CONFORMS TO ANSI/UL
1995 CERTIFIED TO CAN/CSAA22.2 NO.235

KwikKool

1-800-KWIKOOL

Model KCA2421 - 2 Ton

COOLING CAPACITY		
	BTU/hr @ 95 F at 60%RH	23,500 (2 TONS)
COMPRESSOR DATA		
	Compressor Type	HERMETIC RECIP.
	Non-CFC Refrigerant Charge (Lbs.)	407C
FAN DATA		
EVAPORATOR		
	Operating Temperatures	60-95 F .50%RH
	Fan Type (Centrifugal)	DIRECT DRIVE
	Air Flow (CFM)	750
	Cold Air Supply Diameter (Inches)	10In.
	Cold Air Return Diameter (Inches)	16 In.
	Motor HP	1/4
CONDENSER		
	Operating Temperatures	60-110 F .50%RH
	Fan Type (Centrifugal)	DIRECT DRIVE
	Air Flow (CFM)	1100
	Condenser Flange (In.)	14 In.
	Motor HP	1/2
ELECTRICAL DATA		
	Power Supply (Volts)	208/230-Single Phase
	Current Consumption (Amps)	13.25/12.5
	Power Consumption (KW)	2.5
	Maximum Circuit Breaker (Amps)	20
	Minimum Circuit Ampacity (Amps)	20
	Min/Max Voltage	195-225/210-250
DIMENSIONAL DATA		
Unitary Models	Width x Depth x Height (Inches)	24X46X20 w/o Mounting
	Weight (Lbs.)	208.5
	Shipping Weight (Lbs.)	283.5
SAFETY DEVICE DATA		
	Compressor Overload	INTERNAL
	Fan Motor Overload	AUTOMATIC INTERNAL
	Evaporator Freeze-up	HOT GAS BYPASS
	High Pressure Switch	MANUAL
	Low Pressure Switch	AUTOMATIC
	Compressor Short Cycle	YES
	Thermostat	Customer Supplied
	Fire Alarm Control Safety Shut Off	YES
	Signal Output to Bldg. Control Sys.	YES
	Condensate Pump w 20' Head Pres.	YES
	Condensate Pump Overflow	YES



1-800-KWIKOOL