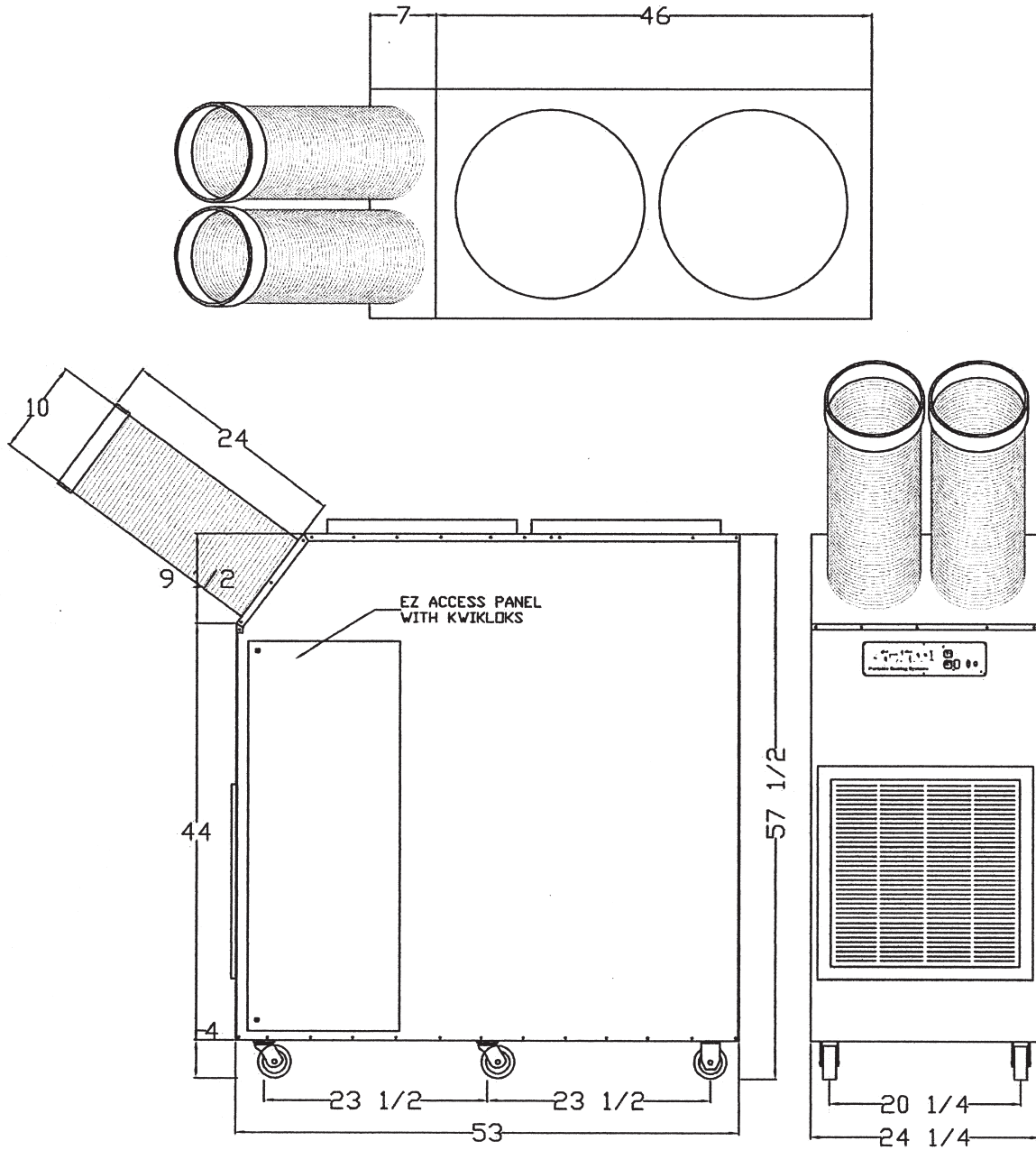


SAC6043



COOLING CAPACITY		
	BTU/hr @ 95°F at 60% RH	60,000 (5 Ton)
COMPRESSOR DATA		
	Compressor Type	Hermetic Recip.
	Operating Temperatures	60°F-110°F 50% RH
FAN DATA		
EVAPORATOR		
	Fan Type (Centrifugal)	Direct Drive
	Air Flow (CFM) / Speeds	2000/1
	Supply Air Data	2 -10x24"
	Supply Air Chute Max. Length	25'
	Motor HP	3/4
CONDENSER		
	Fan Type (Centrifugal)	Belt Drive
	Air Flow (CFM)	3000
	Condenser Hose Data	2 - 20"x8'
	Condenser Hose Max. Length	25'
	Motor HP	3
ELECTRICAL DATA		
	Power Supply (Volts)	480-3Ø
	Current Consumption (Amps)	17.65
	Power Consumption (KW)	7.5
	Circuit Breaker Size (Amps)	30
	Min/Max Voltage	420-500
	Power Cord Guage/Length	10AWG/10'
	Plug Configuration	Field Supplied
DIMENSIONAL DATA		
	Width (Inches)	24.25"
	Depth (Inches)	53
	Height (Inches)	57.5"
	Weight (Pounds)	580
	Shipping Weight (Pounds)	620
SAFETY DEVICE DATA		
	Compressor Overload	Internal
	Fan Motor Overload	Automatic Internal
	Evaporator Freeze-up	Constant Pressure/Fan Control
	High Pressure	Manual
	Low Pressure	Automatic
	Compressor Short Cycle	Yes
	Automatic Restart	Yes
	Thermostat	Digital Microprocessor
	Condensate Pump Overflow	Yes
	Condensate Tank Overflow	Yes